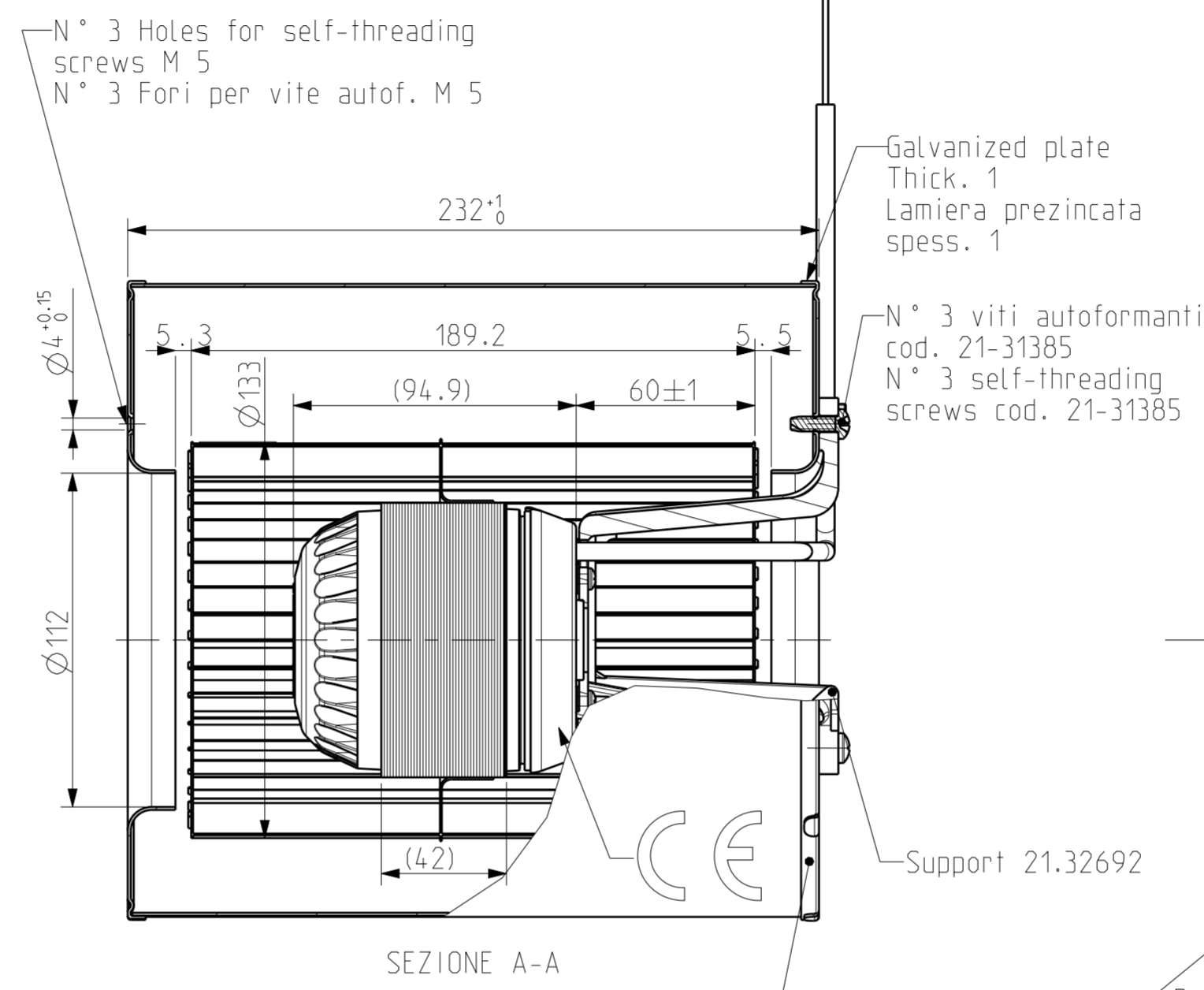
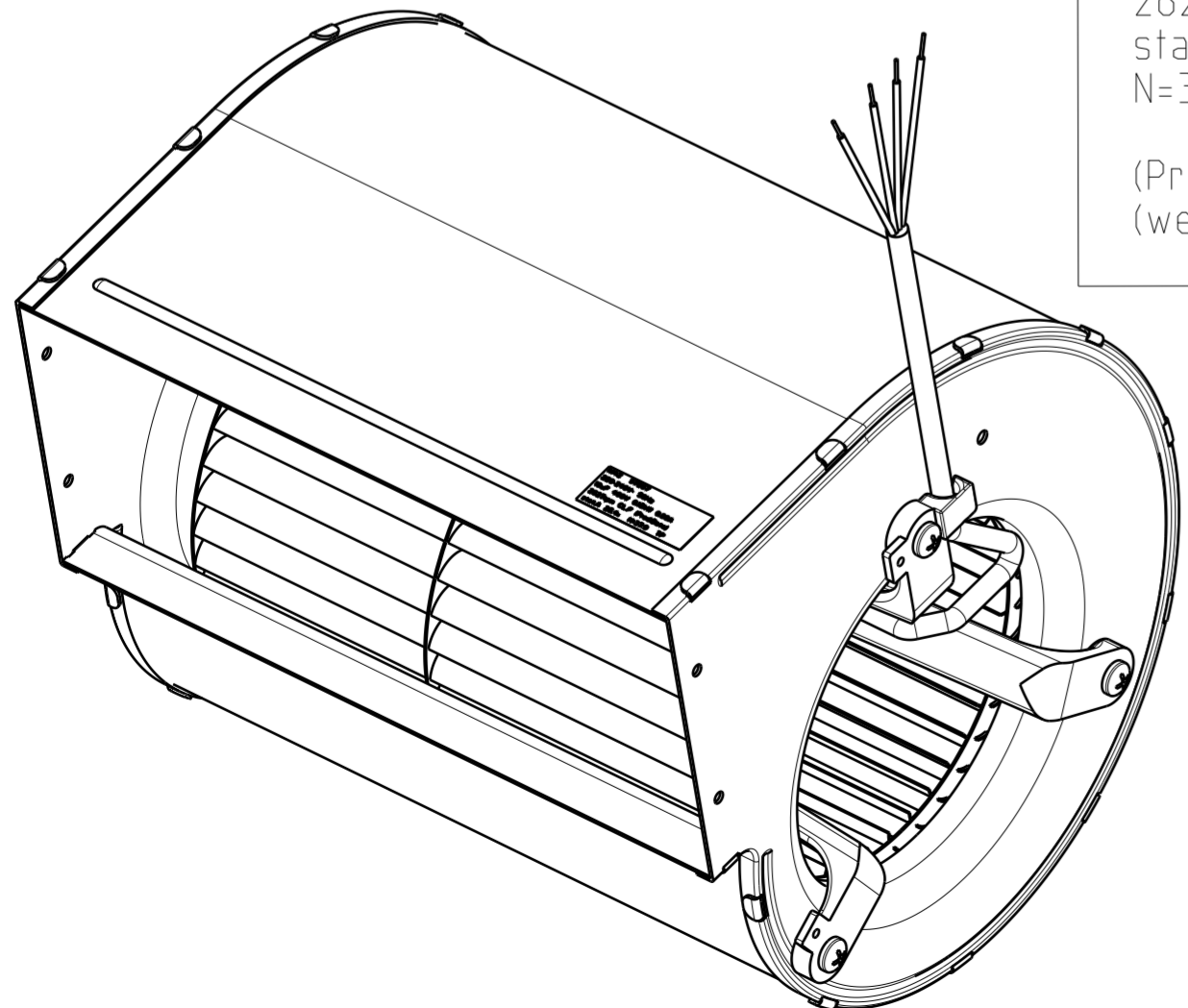
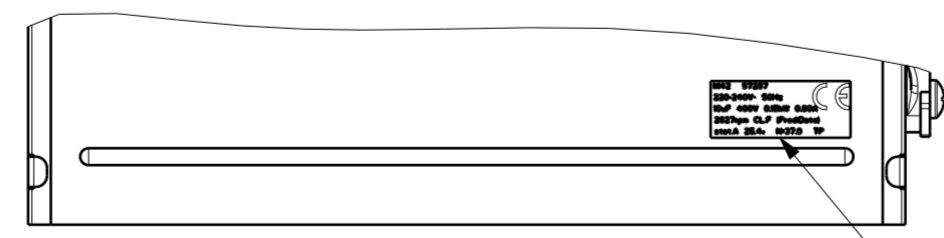


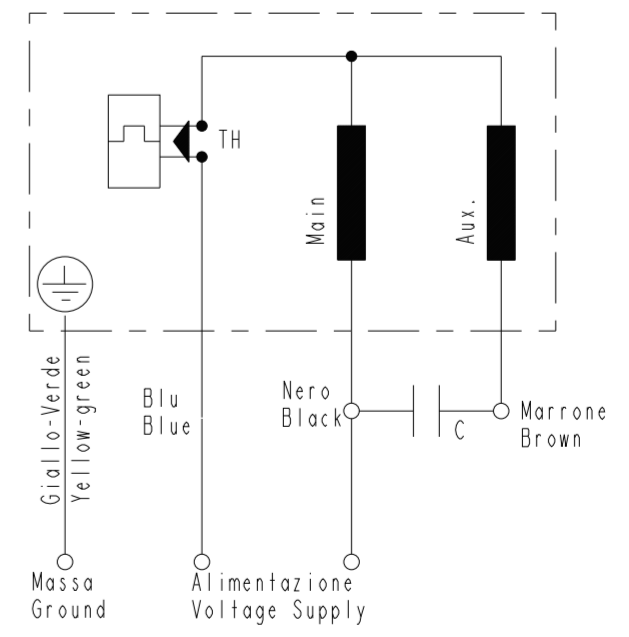
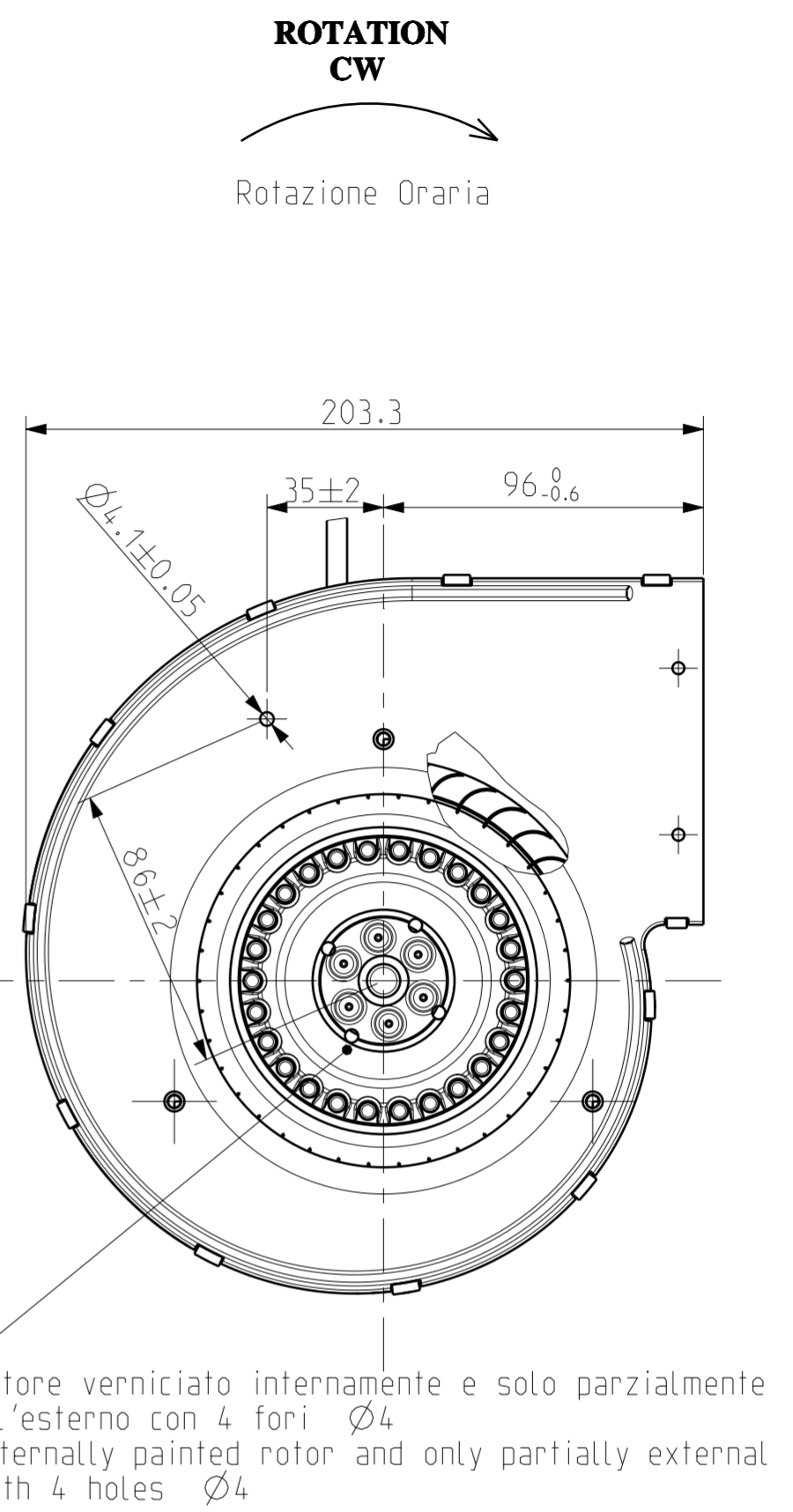
M42 97287
 220-240V~ 50Hz
 10 µF 400V
 0.15kW 0.80A
 2627rpm CL.F
 stat. A 25.4%
 N=37.0 TP
 (Prod.Date)
 (week-year)



N° 2 Folded Fan Sides
 N° 2 fiancate aggraftate



ETICHETTA ADESIVA
 ADHESIVE LABEL



Dimensioni Lineari			Dimensioni Angulari		
Da (mm)	A (mm)	Toll.	Da (mm)	A (mm)	Toll.
+0.5	3	±0.1	10	10	±1°
+3	6	±0.1	10	50	±30'
+6	30	±0.2	50	120	±20'
+30	120	±0.3	120	400	±10'
+120	400	±0.5	Smussi e Raccordi		
+400	1000	±0.8	Da (mm)	A (mm)	
Estratto da ISO 22768 Classe di tolleranza "MEDIA"			0.5	3	±0.2
			3	6	±0.5
			6		±1

CESOTEC
 Disegnato/Drawn
 Visto/Checked
 Data/Date 15.02.05
 Scala/Scale 1:2

Complessiva/Assy
**FAN MOTOR M42 2 Poles CL.F
 133x190 TH CW**
 Elemento/Part
Fanmotor assembly
 Materiale/Material
 --
 Trattamento/Treating
 --

Foglio/Sheet 1 / 1
 Fase di Sviluppo/Development Phase RELEASED
 Dis./Part Number
30-580840

COMPONENTS AND MANUFACTURING PROCESS IN COMPLIANCE WITH EUROPEAN DIRECTIVE 2002/95/CE RoHS AND FURTHER AMENDMENTS

Modifiche/Modification record